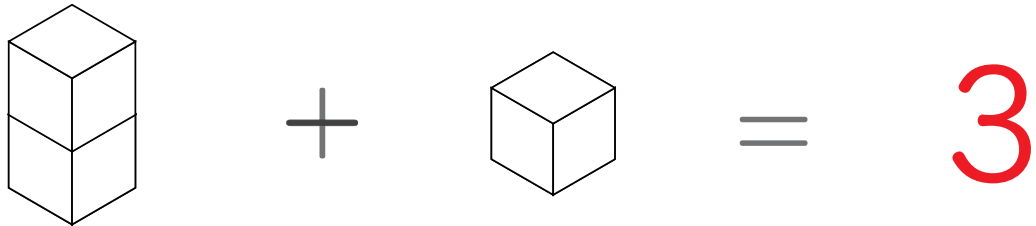


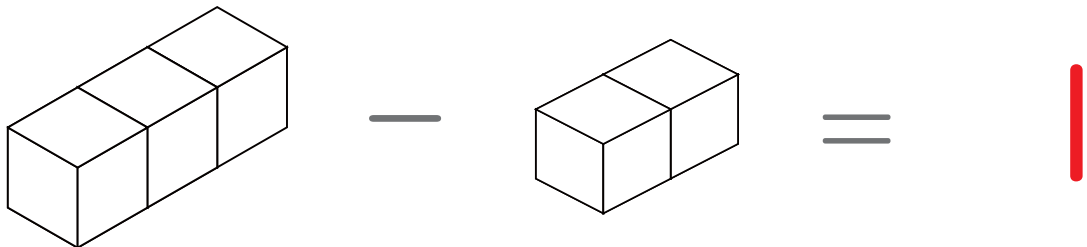
積み木の計算問題 (まとめ) (答え)

2つの積み木を使った足し算と引き算問題です。答えはいくつですか？

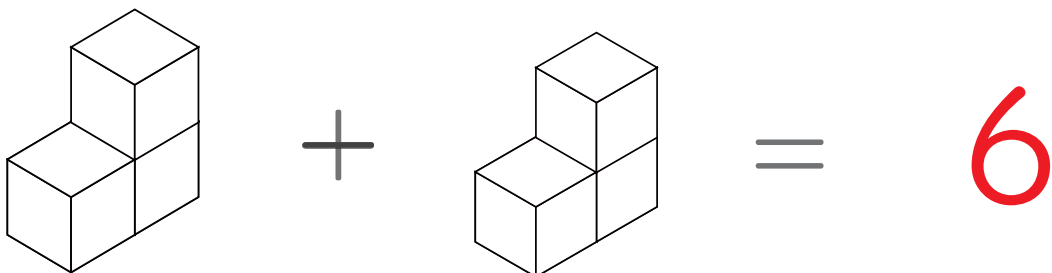
1



2



3



積み木の計算問題 (まとめ) (答え)

2つの積み木を使った足し算と引き算問題です。答えはいくつですか？

1

A visual equation using blocks. On the left, there are 5 blocks arranged in a row. This is followed by a plus sign (+). To the right of the plus sign are 2 blocks stacked vertically. This is followed by an equals sign (=). To the right of the equals sign is the number 7, which is positioned above a horizontal line.

2

A visual equation using blocks. On the left, there are 6 blocks arranged in a 2x3 grid. This is followed by a minus sign (-). To the right of the minus sign are 4 blocks arranged in a row. This is followed by an equals sign (=). To the right of the equals sign is the number 2, which is positioned above a horizontal line.

3

A visual equation using blocks. On the left, there are 5 blocks arranged in a 2x3 grid. This is followed by a plus sign (+). To the right of the plus sign are 3 blocks arranged in a row. This is followed by an equals sign (=). To the right of the equals sign is the number 8, which is positioned above a horizontal line.

積み木の計算問題 (まとめ) (答え)

2つの積み木を使った足し算と引き算問題です。答えはいくつですか？

1

$$\begin{array}{c} \text{3x2x1 block} \\ - \\ \text{2x2x2 block} \\ = \\ \underline{1} \end{array}$$

2

$$\begin{array}{c} \text{1x5x1 block} \\ + \\ \text{1x1x3 block} \\ = \\ \underline{9} \end{array}$$

3

$$\begin{array}{c} \text{2x2x1 block} \\ + \\ \text{2x3x1 block} \\ = \\ \underline{9} \end{array}$$

# 積み木の計算問題 (まとめ) (答え)

2つの積み木を使った足し算と引き算問題です。答えはいくつですか？

1

$$\begin{array}{cccc} \square & \square & \square & \square \\ \square & \square & \square & \square \\ & & & \square \end{array} - \begin{array}{cc} \square & \square \\ \square & \square \\ & \square \end{array} = \underline{\quad 3 \quad}$$

2

$$\begin{array}{ccccc} \square & \square & \square & \square & \square \\ \square & \square & \square & \square & \square \end{array} - \begin{array}{ccc} \square & \square & \square \\ \square & \square & \square \end{array} = \underline{\quad 3 \quad}$$

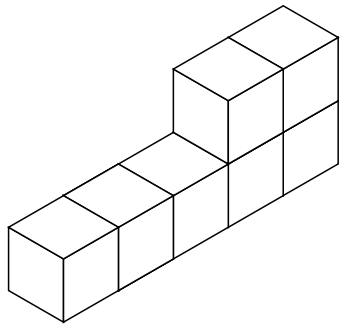
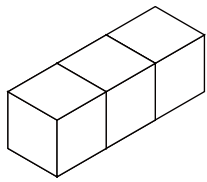
3

$$\begin{array}{ccc} \square & \square & \square \\ \square & \square & \square \\ \square & \square & \square \\ & & \square \end{array} - \begin{array}{ccc} \square & \square & \square \\ \square & \square & \square \\ \square & \square & \square \\ & & \square \end{array} = \underline{\quad 2 \quad}$$

# 積み木の計算問題 (まとめ) (答え)

2つの積み木を使った足し算と引き算問題です。答えはいくつですか？

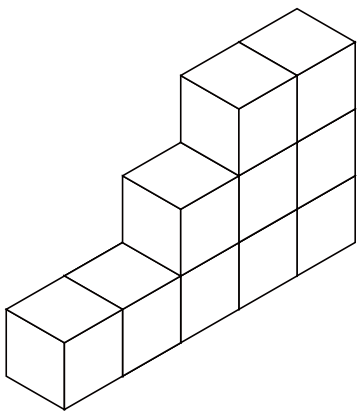
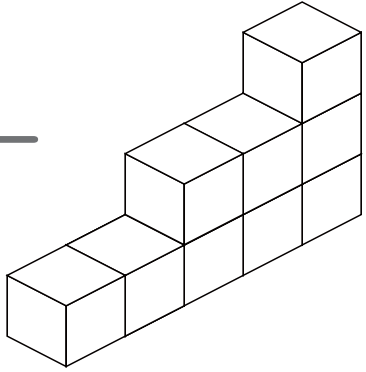
1

 $+$  $=$ 

10

---

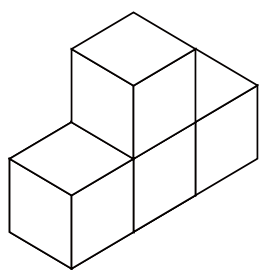
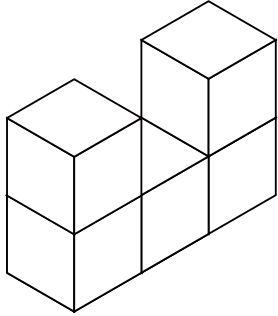
2

 $-$  $=$ 

1

---

3

 $+$  $=$ 

9

---

# 積み木の計算問題 (まとめ) (答え)

2つの積み木を使った足し算と引き算問題です。答えはいくつですか？

1

$$\text{Structure 1} + \text{Structure 2} = \underline{8}$$

2

$$\text{Structure 1} - \text{Structure 2} = \underline{2}$$

3

$$\text{Structure 1} - \text{Structure 2} = \underline{2}$$

積み木の計算問題 (まとめ) (答え)

2つの積み木を使った足し算と引き算問題です。答えはいくつですか？

1

$$\text{Figure 1} - \text{Figure 2} = \underline{4}$$

2

$$\text{Figure 1} + \text{Figure 2} = \underline{8}$$

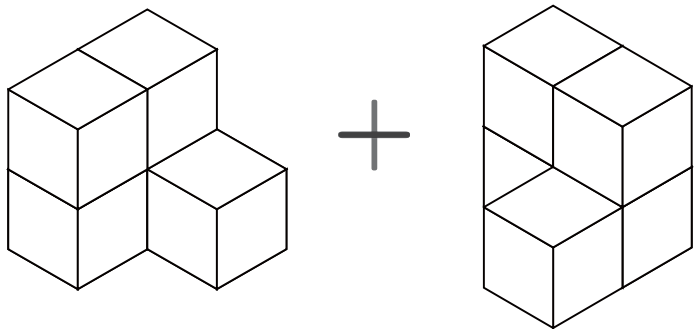
3

$$\text{Figure 1} + \text{Figure 2} = \underline{10}$$

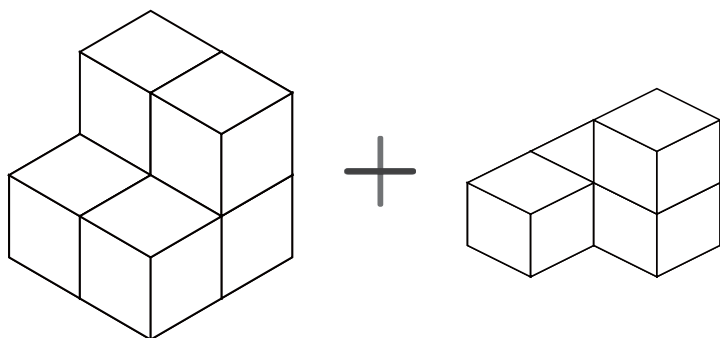
# 積み木の計算問題 (まとめ) (答え)

2つの積み木を使った足し算と引き算問題です。答えはいくつですか？

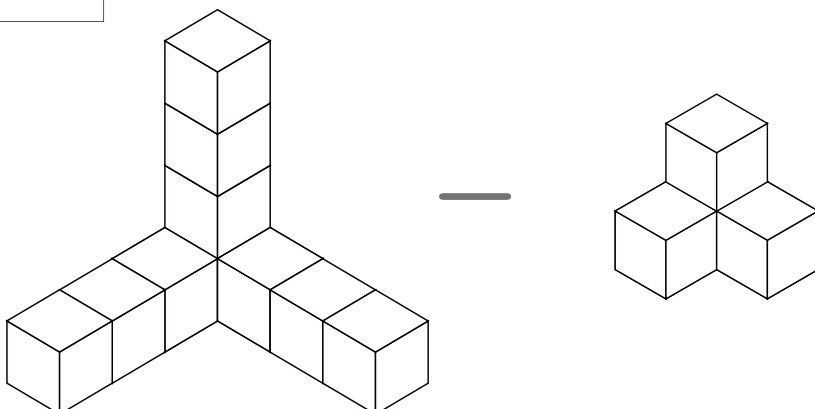
1


$$6 + 4 = 10$$

2


$$7 + 3 = 10$$

3


$$10 - 4 = 6$$



# 積み木の計算問題 (まとめ) (答え)

2つの積み木を使った足し算と引き算問題です。答えはいくつですか？

1

$$\begin{array}{c} \text{7 blocks} \\ \hline \end{array} - \begin{array}{c} \text{5 blocks} \\ \hline \end{array} = \underline{\quad 4 \quad}$$

2

$$\begin{array}{c} \text{6 blocks} \\ \hline \end{array} + \begin{array}{c} \text{2 blocks} \\ \hline \end{array} = \underline{\quad 8 \quad}$$

3

$$\begin{array}{c} \text{10 blocks} \\ \hline \end{array} - \begin{array}{c} \text{6 blocks} \\ \hline \end{array} = \underline{\quad 4 \quad}$$

積み木の計算問題 (まとめ) (答え)

2つの積み木を使った足し算と引き算問題です。答えはいくつですか？

1

$$10 - 6 = 4$$

2

$$6 + 4 = 10$$

3

$$10 - 8 = 2$$